

BREACHING DRONE REMOTE SOLUTION FOR HIGH-RISK ENTRY



SKY-HERO

by  AXON

SINGLE-USE AERIAL PLATFORM FOR REMOTE ENTRY CREATION

The Sky-Hero by Axon Loki MkII Breaching Drone is an airborne device designed to create access where traditional tools are unsafe or ineffective. Built for high-risk or otherwise inaccessible entry points, it enables tactical teams to conduct forced entry operations with precision while maintaining a safe standoff.

This Loki MkII variant includes a fixed ignition payload equipped with electro-mechanical safeguards to help prevent unintentional activation. Lightweight mounting plates on the top or rear of the platform allow operators to attach their own breaching charge.

The system supports two activation configurations: in the first, the drone pilot initiates the charge directly via the Ground Control Station (GCS) MkII; in the second, detonation is carried out by a separate operator using the remote activation unit wired to the GCS. This flexibility allows teams to adapt deployment to their operational protocols while maintaining clear division of responsibilities between pilot and breacher.

FEATURES AND BENEFITS

TWO MOUNTING OPTIONS

Top and rear mounting options on the drone allow operators to adapt breaching charge placement to the target structure, managing blast direction while operating within established safety protocols to reduce unintended effects beyond the designated entry point.

MULTI-LAYERED SAFETY & FAIL-SAFE REDUNDANCY

Mechanical, electronic, and firmware safeguards work in concert to support controlled charge activation, even in high-pressure tactical conditions. In the event of component failure or operator error, redundant safety mechanisms and established protocols help prevent unintended initiation. These overlapping protections provide operators with confidence and control in unpredictable situations.

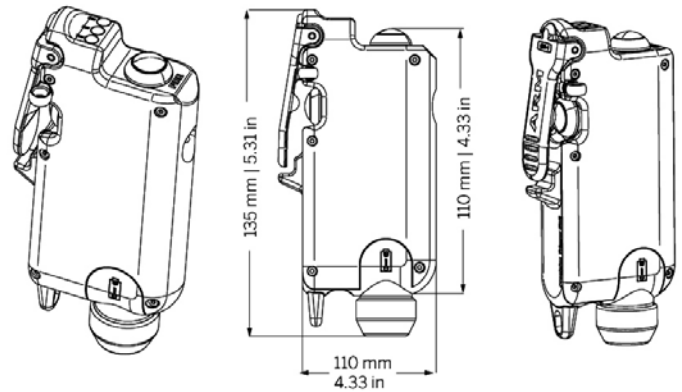
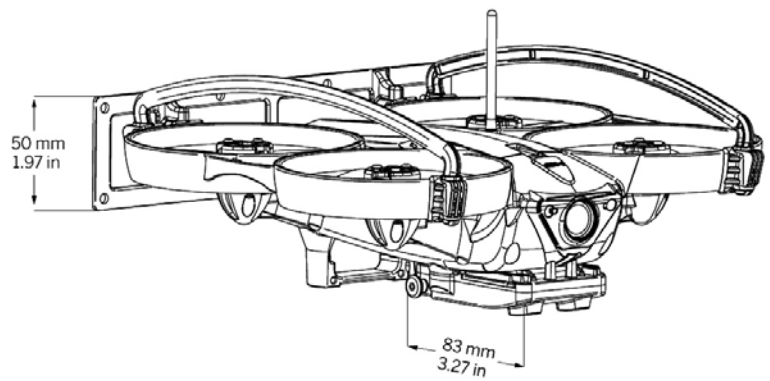
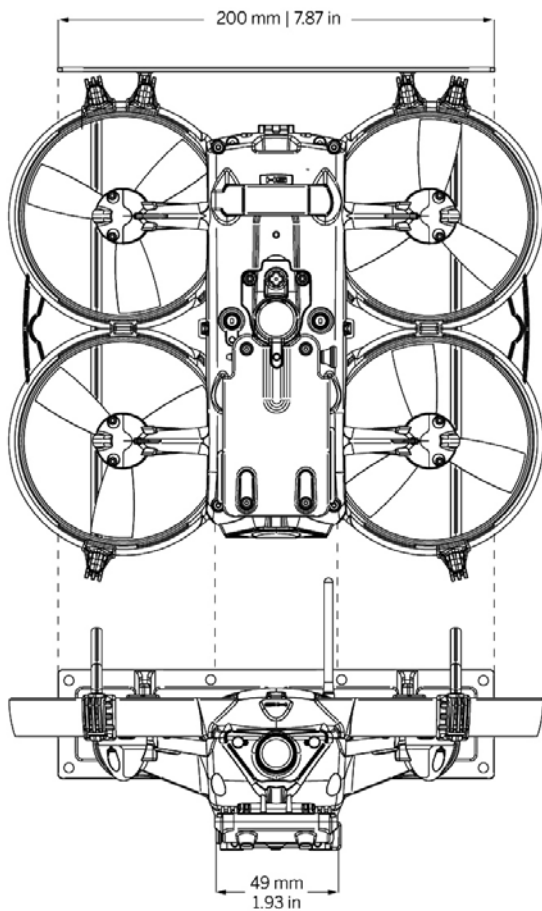
WIRELESS CHARGE ACTIVATION

Initiate remote breaching operations from a safe standoff using a secure, encrypted connection to the GCS MkII or the remote initiation device. The single-use drone enables precise charge deployment while keeping operators at a distance.

ROLE SEPARATION FOR OPERATIONAL FOCUS

The dedicated remote activation unit decouples flight control from charge detonation. This dual-operator setup improves safety and clarity by allowing the pilot to focus on maneuvering while the breacher manages activation through a deliberate and controlled three-button sequence.





REMOTE ACTIVATION UNIT

SPECIFICATIONS

MAXIMUM CHARGE CAPACITY

Up to 150g breaching charge*

*Breaching charges not supplied by Axon

IGNITION SYSTEM

Secure electric detonation system

Charge remotely activated via GCS MkII or Remote Activation Unit

MOUNTING OPTIONS

Top or rear charge placement
Supports directional deployment

SECURE CONNECTIVITY

AES-256 encrypted link
Prevents interference or unauthorized signal

REMOTE ACTIVATION UNIT

Dual-action fire safety
Encrypted communication
Visual status indicators

